



INSIGHT™ CMOS

**If you loved your SPOT before...
wait 'til you see us now!**

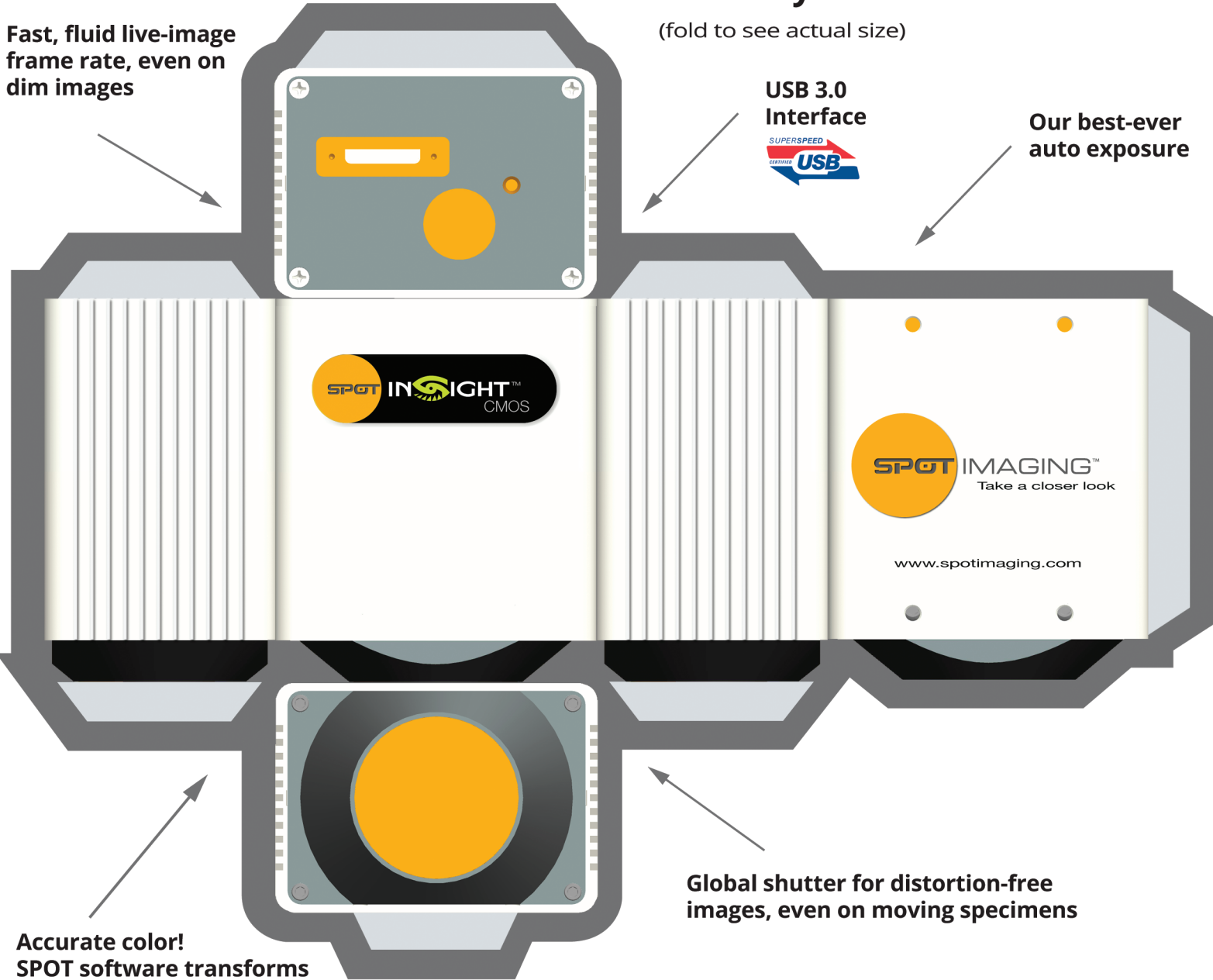
(fold to see actual size)

**Fast, fluid live-image
frame rate, even on
dim images**

**USB 3.0
Interface**



**Our best-ever
auto exposure**



**Accurate color!
SPOT software transforms
raw sensor colors into
glorious reality**

**Global shutter for distortion-free
images, even on moving specimens**

The next-generation SPOT Insight CMOS Camera

Breakthrough Sony Pregius™ CMOS technology and performance
at a super-affordable price



6540 Burroughs Avenue • Sterling Heights
Michigan • 48314-2133
phone: 586.731.6000 • fax: 586.731.6469
website: www.spotimaging.com

All SPOT cameras are compatible with:



Windows

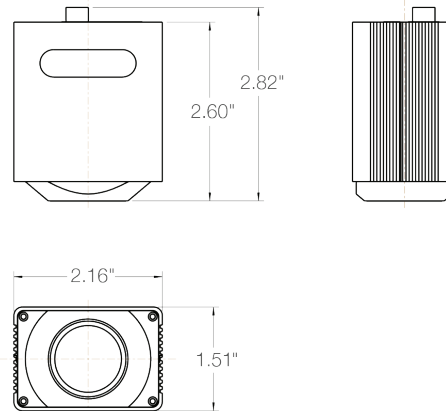
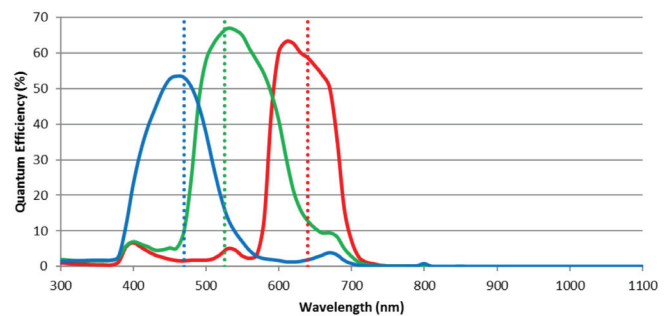


SPOT Insight CMOS camera with the Sony Pregius™ Sensor

Sensor Specs	
Model	IN41C5IR
Sensor Type	Color
Captured Image Resolution	5.1MP
Live Image Resolution, No Decimation	1.3MP
Live Image Frame Rate, No Decimation, 12-bit Mono, 36-bit Color	22 f/s
Live Image Resolution, 2x2 Decimation	0.32MP
Live Image Frame Rate, 2x2 Decimation, 12-bit Mono, 36-bit Color	TBD
Sensor	Sony Pregius™ CMOS, Back Illuminated, Enhanced Near-IR
Sensor P/N	Sony IMX250
H x V, Pixels	2456 x 2048
H x V, mm	8.47mm x 7.07mm
Pixel Size	3.45 μm
Aspect Ratio	6:5
CCD Diagonal	11.0mm
Optical Format	2/3"
Shutter Type	Global Shutter
Peak QE, Color	66% at 525nm
Fixed Pattern Noise	Negligible
Camera Specs	
Lens Mount	C-mount
Computer Interface	USB 3.0
Full Well	10,300 e
Read Noise	2.4 e
Dynamic Range	73 dB
A-D Bit Depth	12-bit
Analog Gain	1, 2, 4, 8, 16, 32, 64, 128, 251
Sensor Temperature	+52C (+32C from 20C Ambient)
Exposure Time Range	7.1 μs to 3.9 sec
ROI	Yes
Exposure While Downloading	Yes
Trigger I/O (OEM models only)	Trigger In* Synch1 Out* I/O/TX, I/O/RX *(Optically isolated, requires external power supply)

Trigger I/O Connector	Hirose HR25-7TR-8A
Power Required	5V supplied via USB3 Interface
ON-OFF Switch	No
Tripod Mount	Optional
USB Connector	USB 3.0 Micro-B
Regulatory	CE, FCC Class A, RoHS
SPOT Software Application	Windows Mac
SDK Support	Windows Mac Linux

Color Mosaic + IR Filter QE



The suggested applications for this camera include:

- | | |
|---------------------------|--------------------------------|
| Brightfield | Histology, Pathology, Cytology |
| Darkfield | Semiconductor Inspection |
| Bright Light Fluorescence | Metrology |
| Live Cell Imaging | Whole Slide Imaging |

Availability: Q2 2016



6540 Burroughs Avenue • Sterling Heights • MI • 48314-2133
 phone: 586.731.6000 • fax: 586.731.6469 • website: www.spotimaging.com

SPOT INSIGHT CMOS Camera Data Sheet PN12032 Rev. A